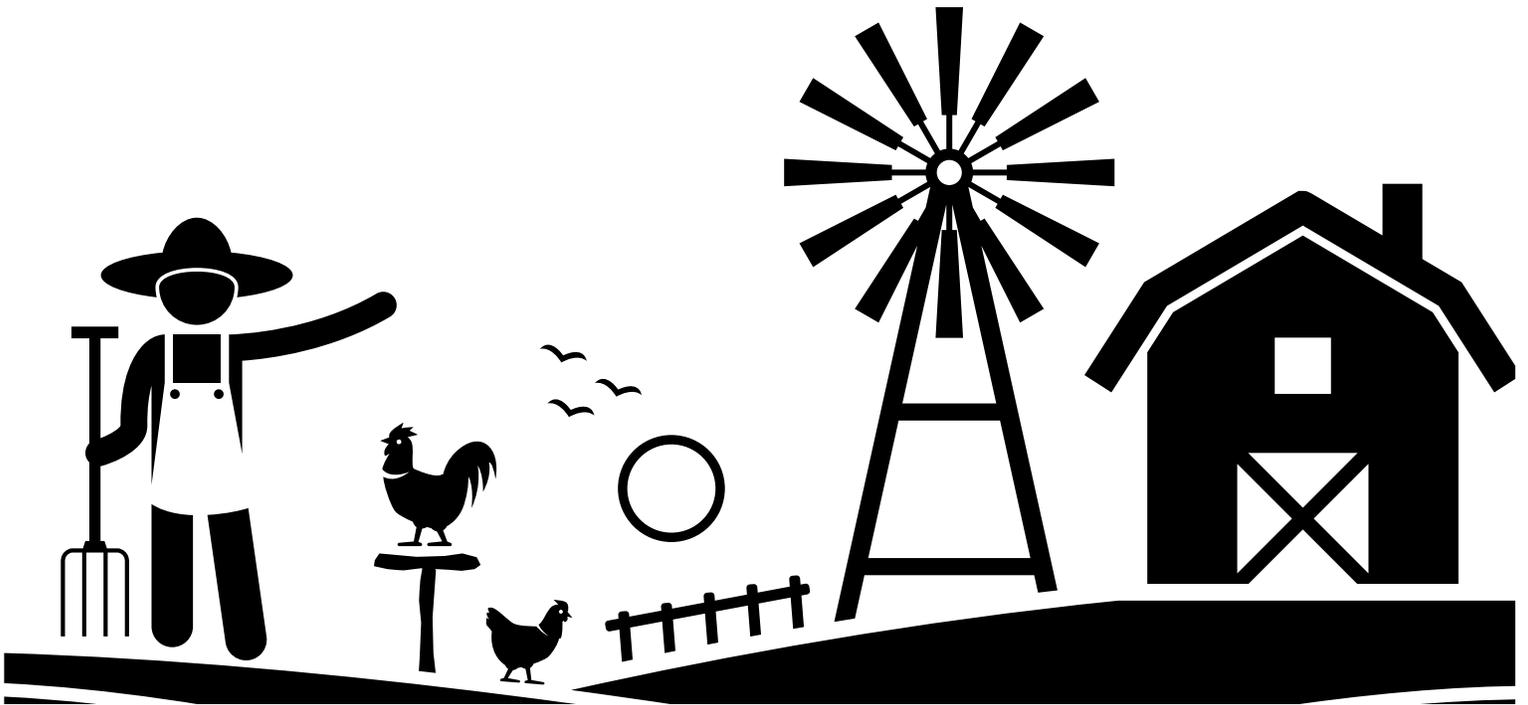


Homeplace 1850s Working Farm

Land Between the Lakes National Recreation Area

HOMEPLACE 1850S FARM ANIMAL BOOK

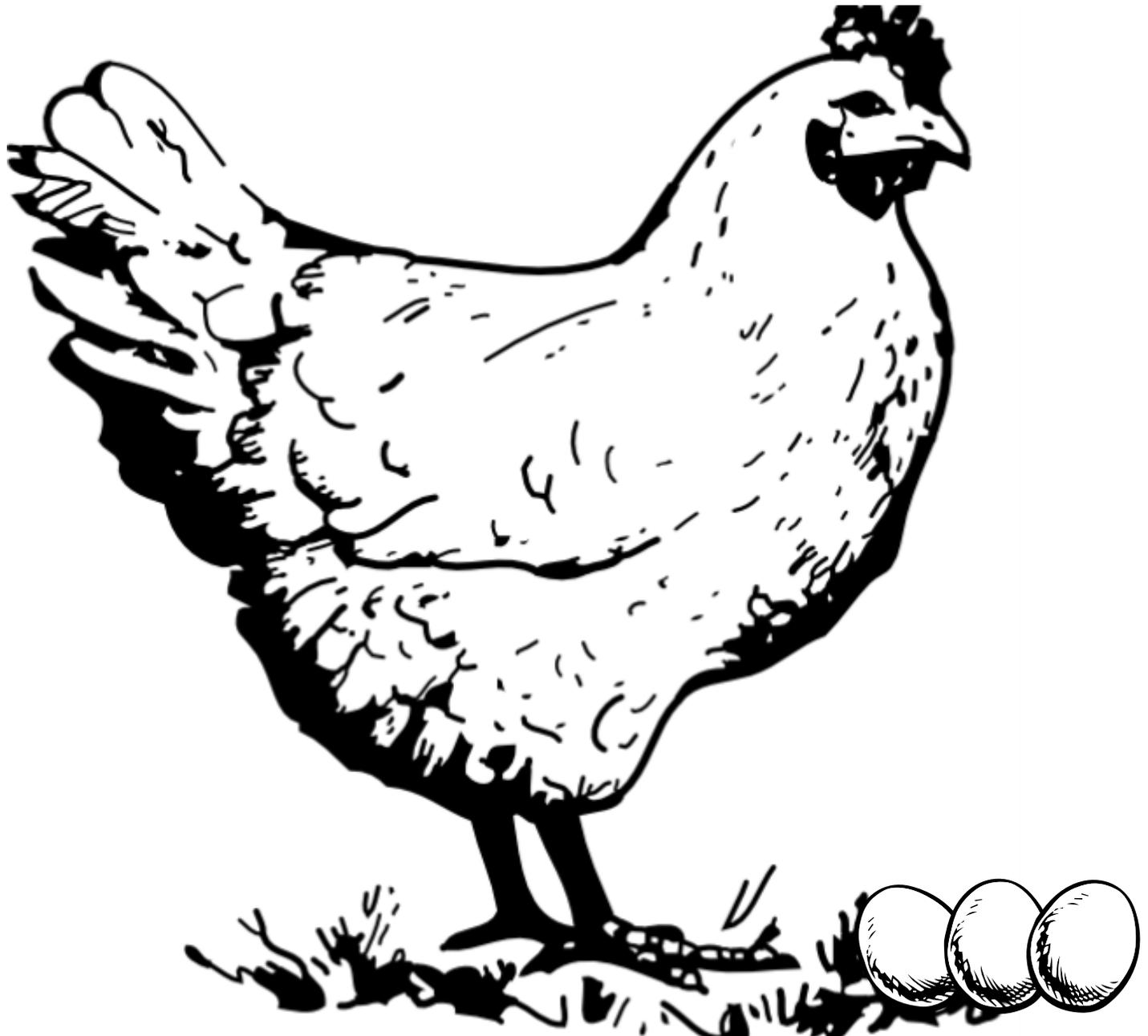


Farm children had to know a lot about the animals on their farm. They had to feed the farm animals, give them plenty of water, and had to clean their pens.

Look for the animal pens to find information about each Homeplace farm animal. Read about each farm animal and answer the following questions. Then color the animals when you get home!

CHICKEN

- What does a chicken lay in a nesting box that the farm family can eat? _____
- What kind of chicken lives at the Homeplace? _____



MULES

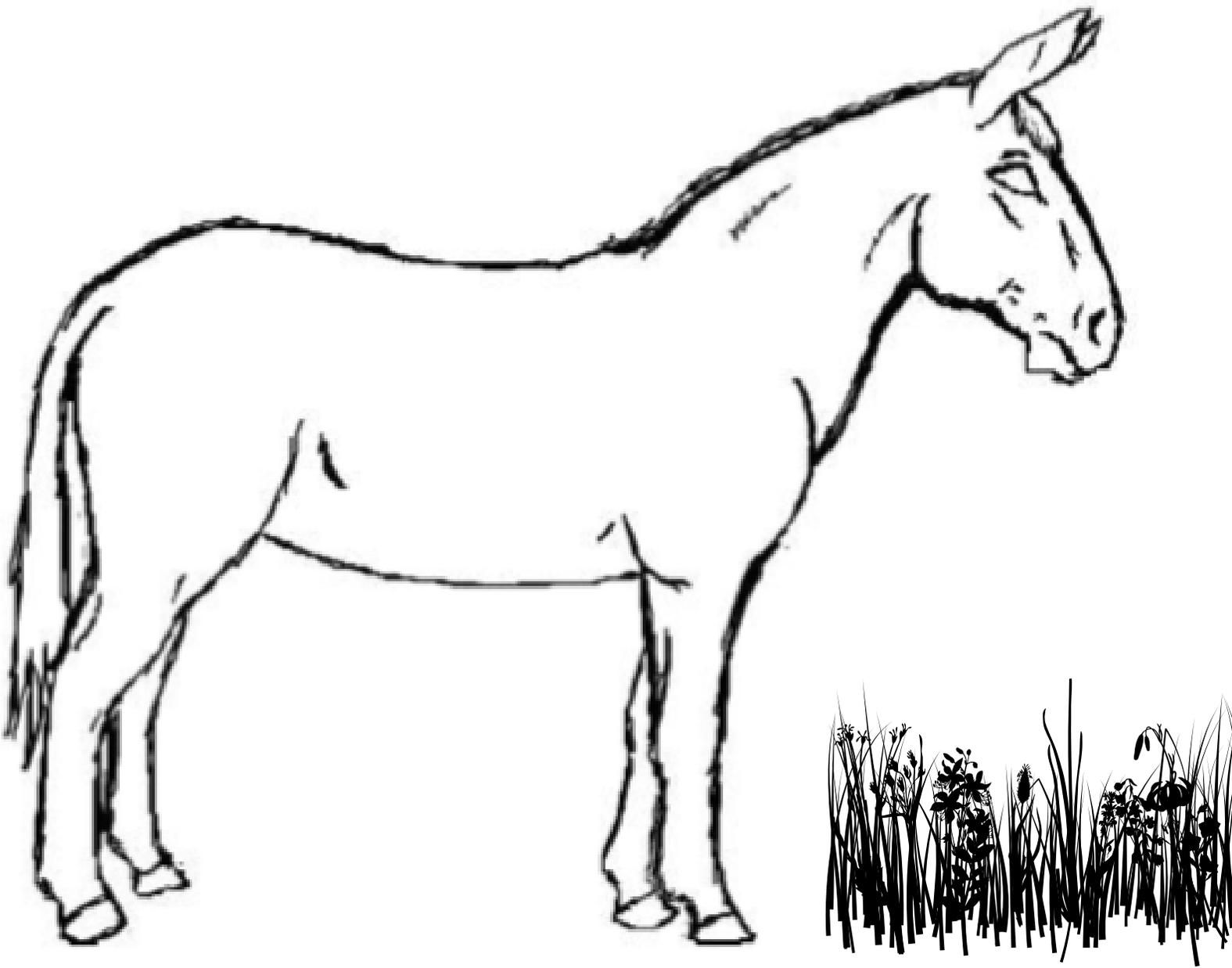
- What chores would a mule do on the farm?
(circle your answers)

Plow a Field

Pull a Wagon

Lay an Egg

- What are the names of the Homeplace mules? _____



OXEN

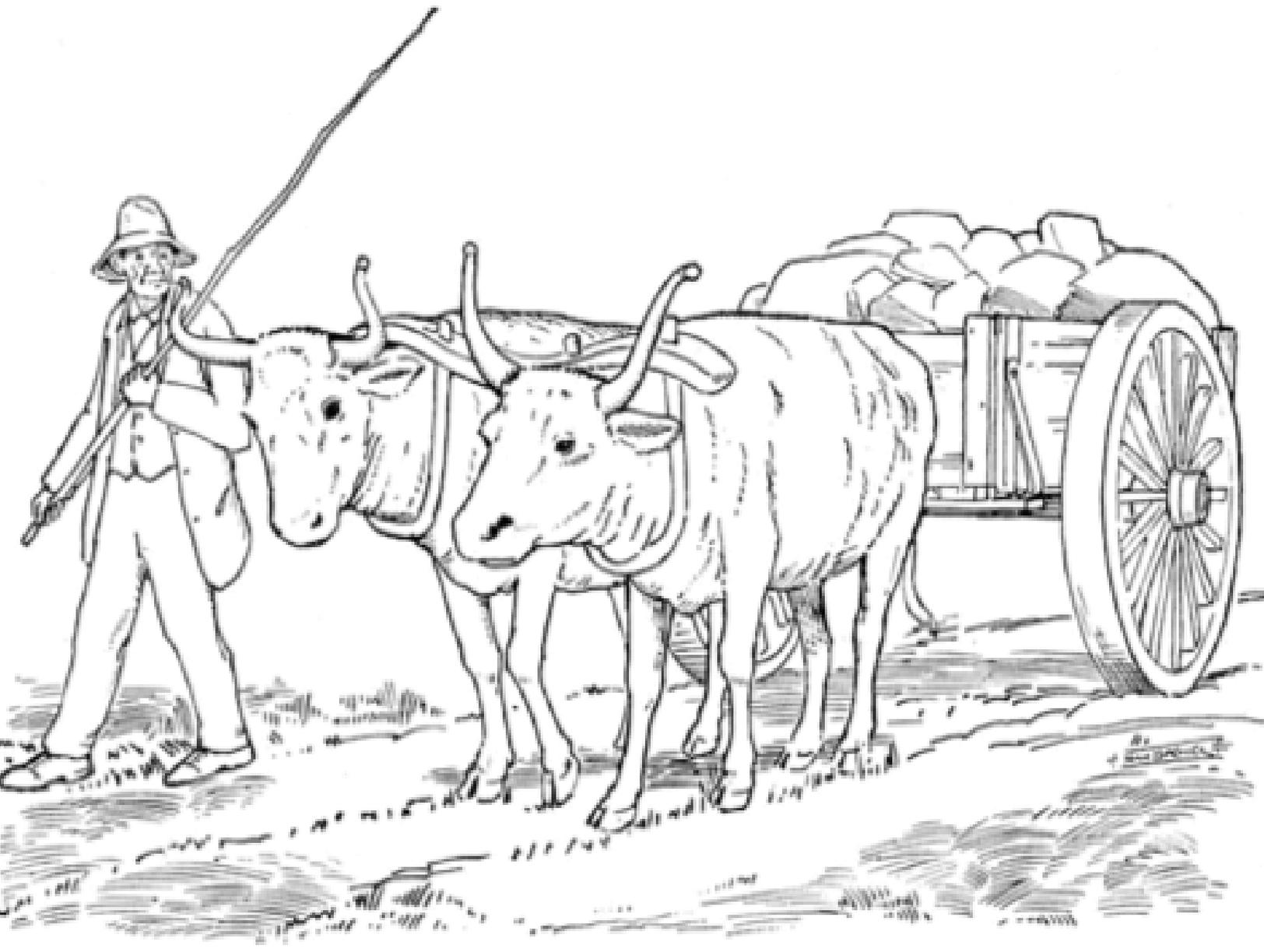
- Young calves are trained to be oxen , what do they have to learn? *(circle your answers)*

A. Work Together in a Yoke

B. Lay an Egg

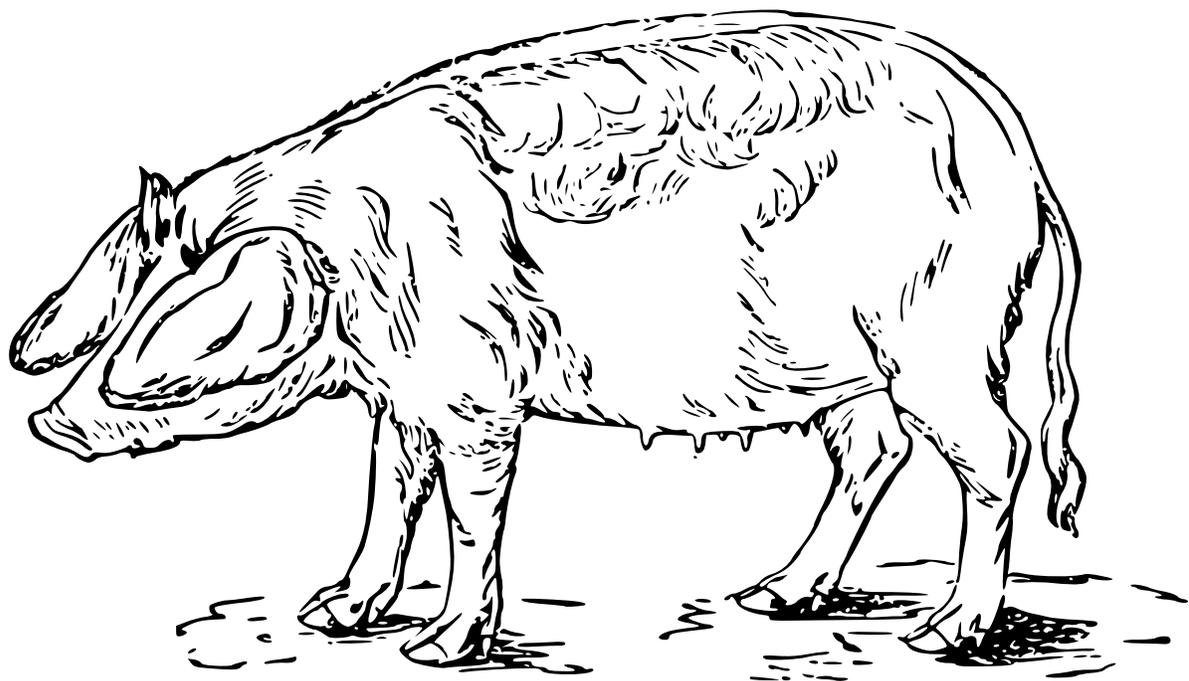
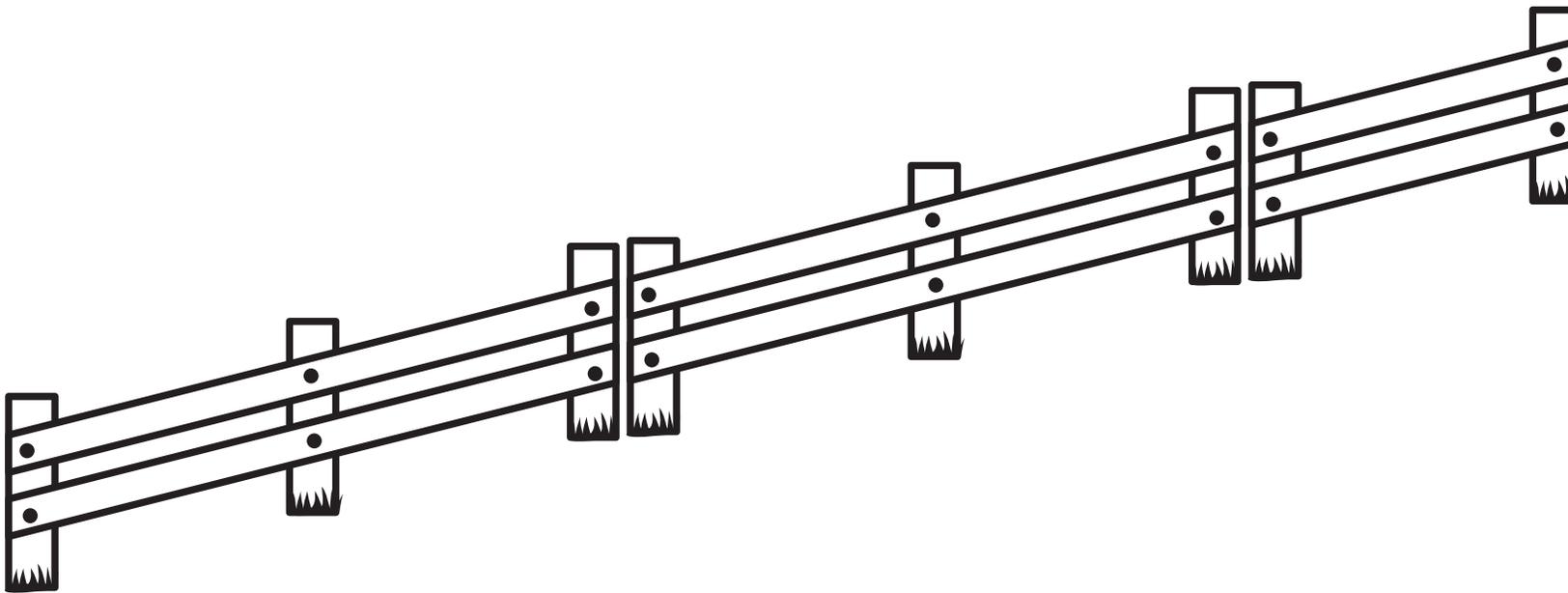
C. Learn to Obey the Farmers Commands

- What are the names of the Homeplace oxen? _____



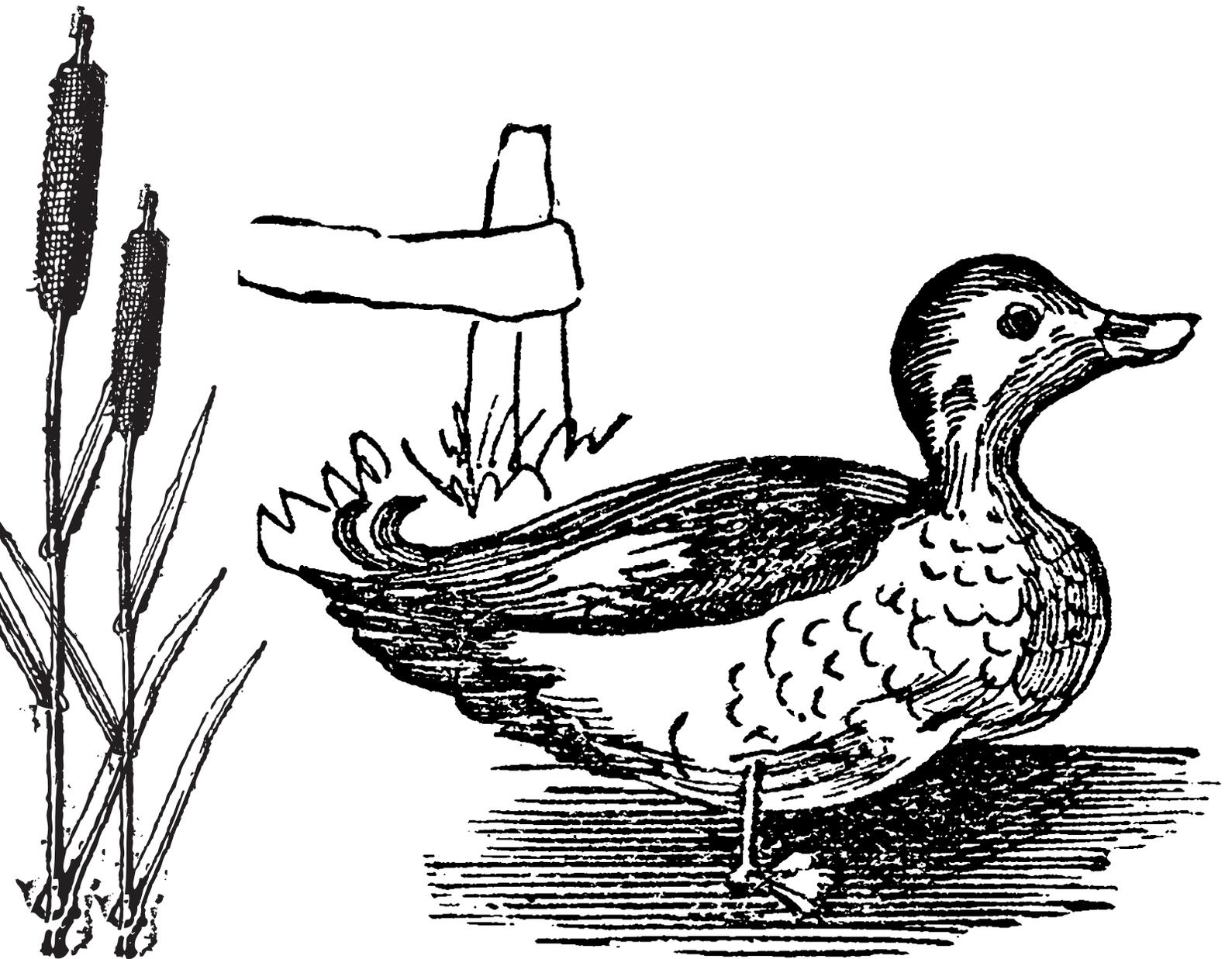
PIGS

- Pigs can be all colors black, red and spotted. Color this pig your favorite color.



DUCKS

- What breed are the Homeplace ducks? _____
- What color are the Homeplace ducks? _____



SHEEP

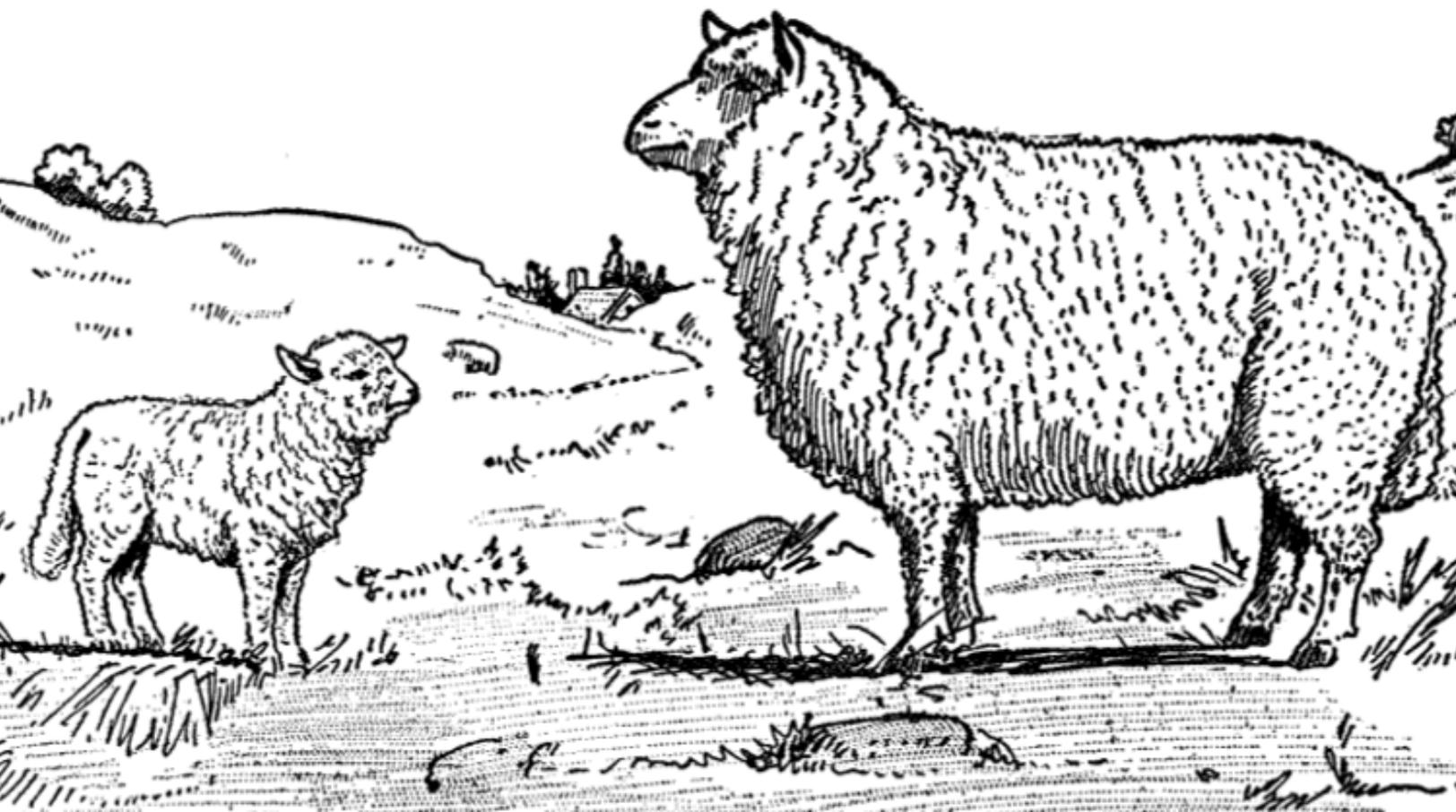
- What part of the sheep is used to keep the farm family warm in the wintertime? _____
- How often to the sheep get a haircut? (*circle your answer*)

Daily

Weekly

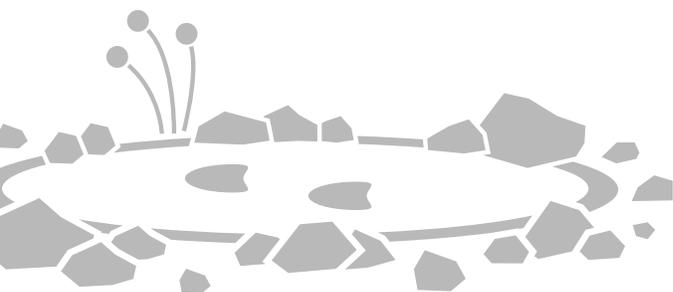
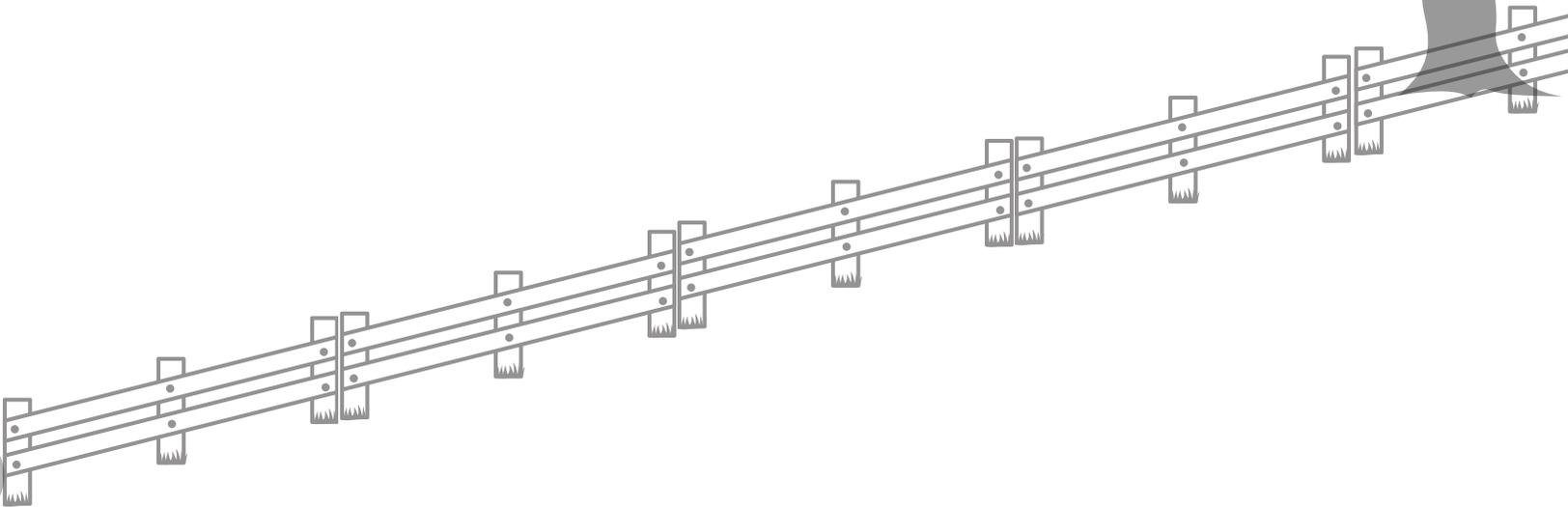
Monthly

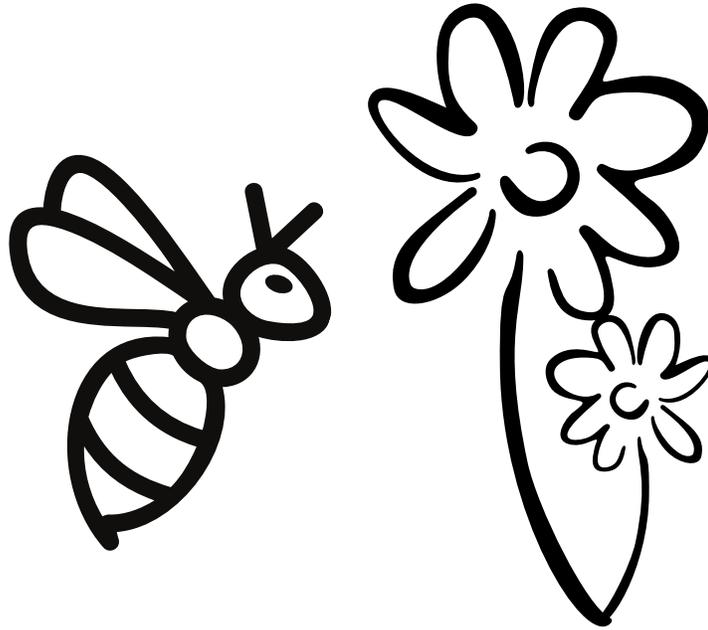
Yearly



MY FAVORITE FARM ANIMAL

- Now that you have met our farm animals draw your favorite one!





For more worksheets for Homeschool Month check on our website.

www.landbetweenthelakes.us/homeplace



Homeplace 1850s Working Farm

4512 The Trace

Dover, TN 37058 | 931-232-6457

Facebook: @Homeplace1850Farm

www.landbetweenthelakes.us/homeplace